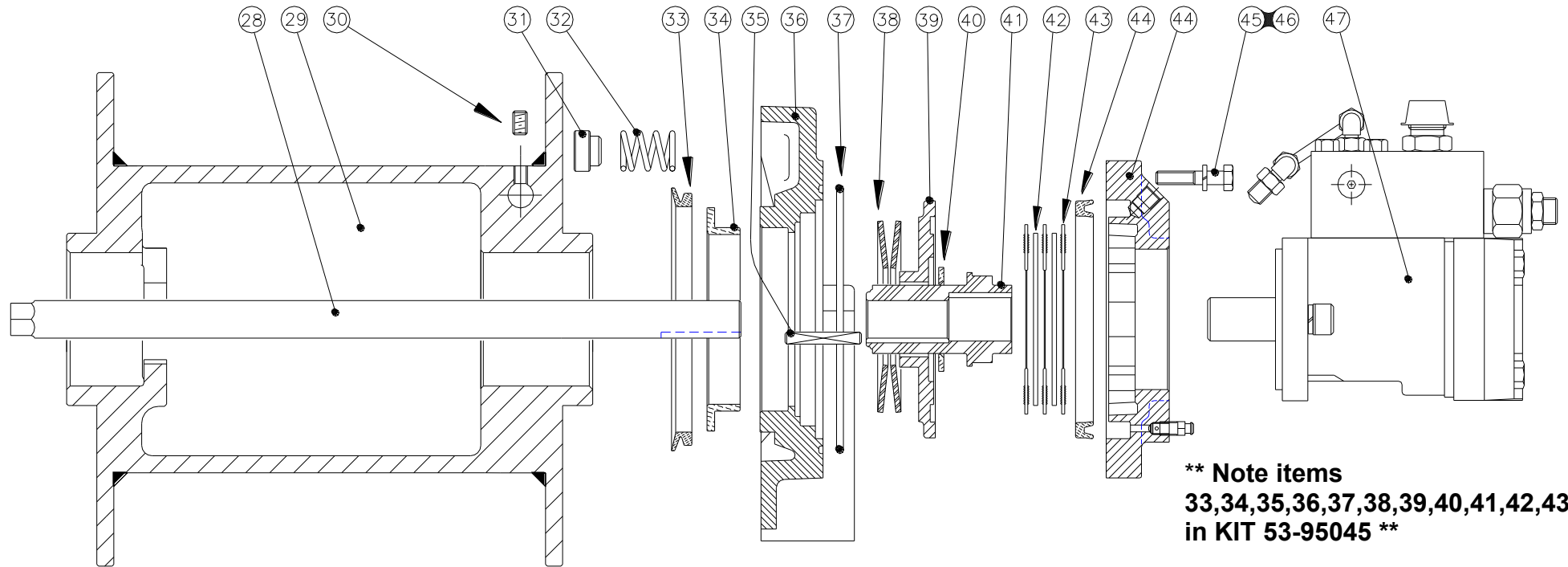


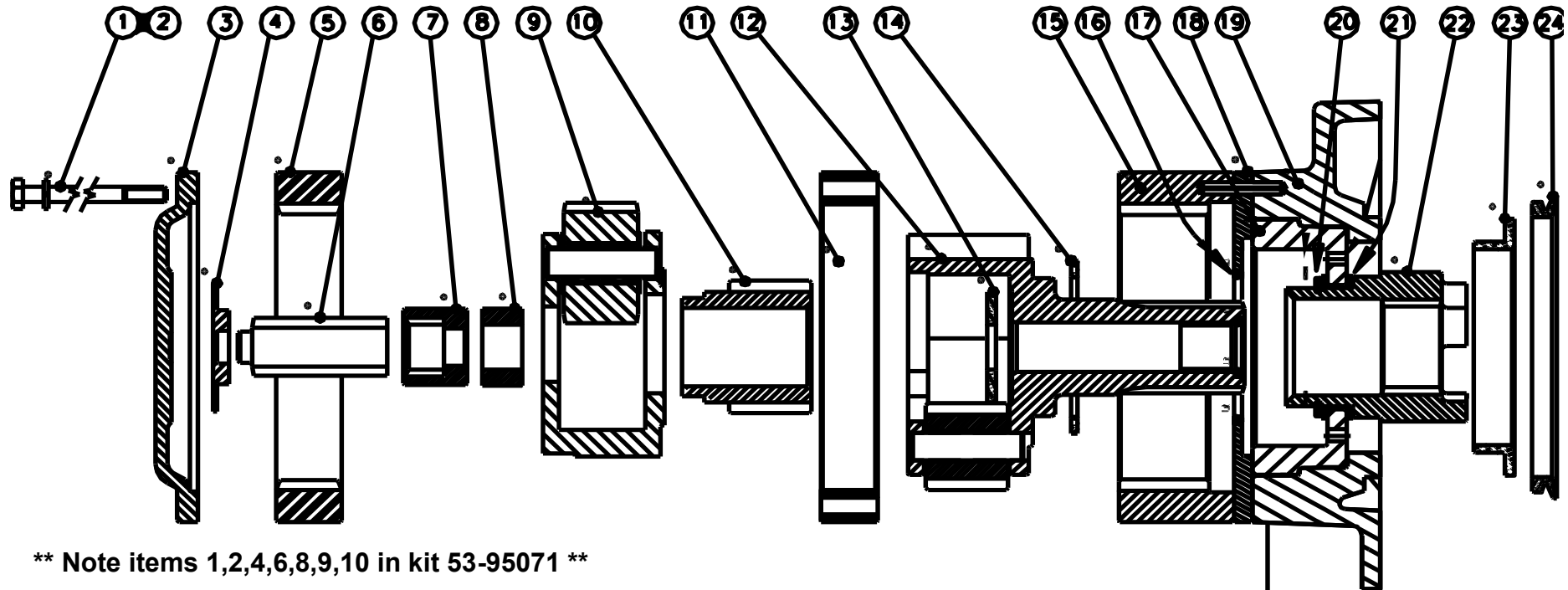
# Superwinch H15P Exploded View and Parts List Break End



**\*\* Note items  
33,34,35,36,37,38,39,40,41,42,43,44  
in KIT 53-95045 \*\***

<i>Item</i>	<i>Description:</i>	<i>Part No:</i>	<i>Qty:</i>	<i>Item</i>	<i>Description:</i>	<i>Part No:</i>	<i>Qty:</i>
28	Drive Shaft, short, 255 drum	53-50466	1	41	Drive Coupling.	53-90336	1
29	Rope Drum, (180 x 255)	53-90637-01	1	42	Rotating Brake Disc.	53-60184	2
30	Set Screw, M8 x 10	4-40-081003	1	43	Fixed Brake Disc.	88-22313	3
31	Brake Pad.	317	2	44	Motor Mount Plate with Seal.	53-90603	1
32	Brake Spring.	320	2	45	Bolt, m8 X 40.	4-33-0804022	8
33	V-Ring Seal.	4-22-130151123	1	46	Spring Washer, M8.	4-51-0823	8
34	Drum Bearing.	53-40953	1	47	Motor / NO Load Control Valve Assembly	94-32192-04	1
35	Key.	4-178-060645	1	N/S	Skt Hd Set Screw, M12 X 30	4-36-1203022	2
36	Motor Housing Support.	53-25057	1	N/S	Tie Bar, Short Drum, 255mm.	53-52265	1
37	'O' Ring.	4-21-7553	1	N/S	Cable Tensioner, 255 Drum	5637	1
38	Disc Spring	4-145-1125730	2	N/S	Spacer, Tie Bar & Cable Tensioner	53-52318	4
39	Pressure Plate.	53-65026	1	N/S	Set Screw, M12 X 25	4-32-1202522	8
40	Thrust Washer	53-52240	1	N/S	Spring Washer, M12	4-51-1223	10

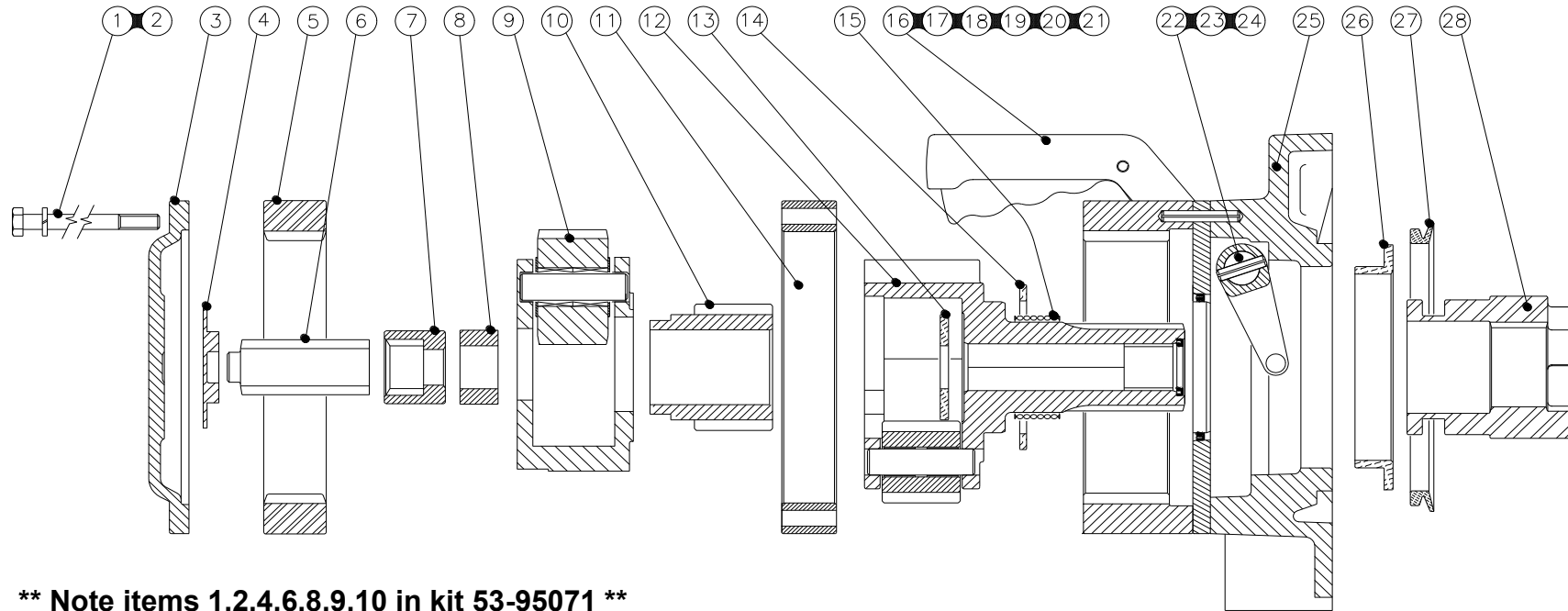
# Superwinch H15P Exploded View and Parts Pneumatic freespool Gear End



**\*\* Note items 1,2,4,6,8,9,10 in kit 53-95071 \*\***

Item:	Description:	Part No:	Qty:	Item:	Description:	Part No:	Qty:
1	Bolt, M8 X 150	4-33-0815022	6	13	Thrust Washer	53-52241	1
2	Spring Washer, M8	4-51-0823	6	14	Thrust Washer	53-52223	1
3	Gearbox Cover	53-25054	1	15	2 <sup>nd</sup> Stage Ring Gear.	53-54037	1
4	Thrust Pad	53-52224	1	16	Oil Seal	4-22-7078053	1
5	1 <sup>st</sup> Stage Ring Gear	88-32288-01	1	17	Freespool Lock Out	53-50653	1
6	1 <sup>st</sup> Stage Sun Gear	53-54036	1	18	Spacer.	53-50374	1
7	Driveshaft Coupling	53-70032	1	19	Gearbox Housing.	53-25162	1
8	Coupling Spacer	53-52270	1	20	CirClip	4-24-60718203	1
9	1 <sup>st</sup> Stage Carrier Assembly	53-90563	1	21	Thrust Washer	53-50438	2
10	Final Stage Sun Gear	53-54058	1	22	Sliding Dog	53-25080	1
11	Ring Gear Spacer	53-50421	1	23	Drum Bearing	53-40953	1
12	2 <sup>nd</sup> Stage Carrier Assembly	53-90271	1	24	V-Ring Seal	4-22-130151123	1

# Superwinch H15P Exploded View and Parts Manual Freespool Gear End



**\*\* Note items 1,2,4,6,8,9,10 in kit 53-95071 \*\***

Item:	Description:	Part No:	Qty:	Item:	Description:	Part No:	Qty:
1	Bolt, M8 X 150	4-33-0815022	6	15	Wave Spring.	4-156-211195130	1
2	Spring Washer, M8	4-51-0823	6	16	Freespool Handle Assembly	53-90396	1
3	Gearbox Cover	53-25054	1	17	Latch Plate	53-60173	1
4	Thrust Pad	53-52224	1	18	Set Screw, M8 X 16	4-32-0801622	1
5	1 <sup>st</sup> Stage Ring Gear	88-32288-01	1	19	Plain Washer, M8	4-50-0823	1
6	1 <sup>st</sup> Stage Sun Gear	53-54036	1	20	Set Screw, M8 X 20	4-32-0802022	1
7	Driveshaft Coupling	53-70032	1	21	Spring Washer, M8	4-51-0823	1
8	Coupling Spacer	53-52270	1	22	Clutch Fork	53-52295	1
9	1 <sup>st</sup> Stage Carrier Assembly	53-90563	1	23	Freespool Pivot Shaft	53-50456	1
10	Final Stage Sun Gear	53-54058	1	24	Roll Pin, 6mm X 26	4-56-602603	1
11	Ring Gear Spacer	53-50421	1	25	Gearbox Base Assembly	53-90501	1
12	2 <sup>nd</sup> Stage Carrier Assembly	53-90271	1	26	Drum Bearing	53-40953	1
13	Thrust Washer	53-52241	1	27	V-Ring Seal	4-22-130151123	1
14	Thrust Washer	53-52223	1	28	Sliding Dog	53-25055	1