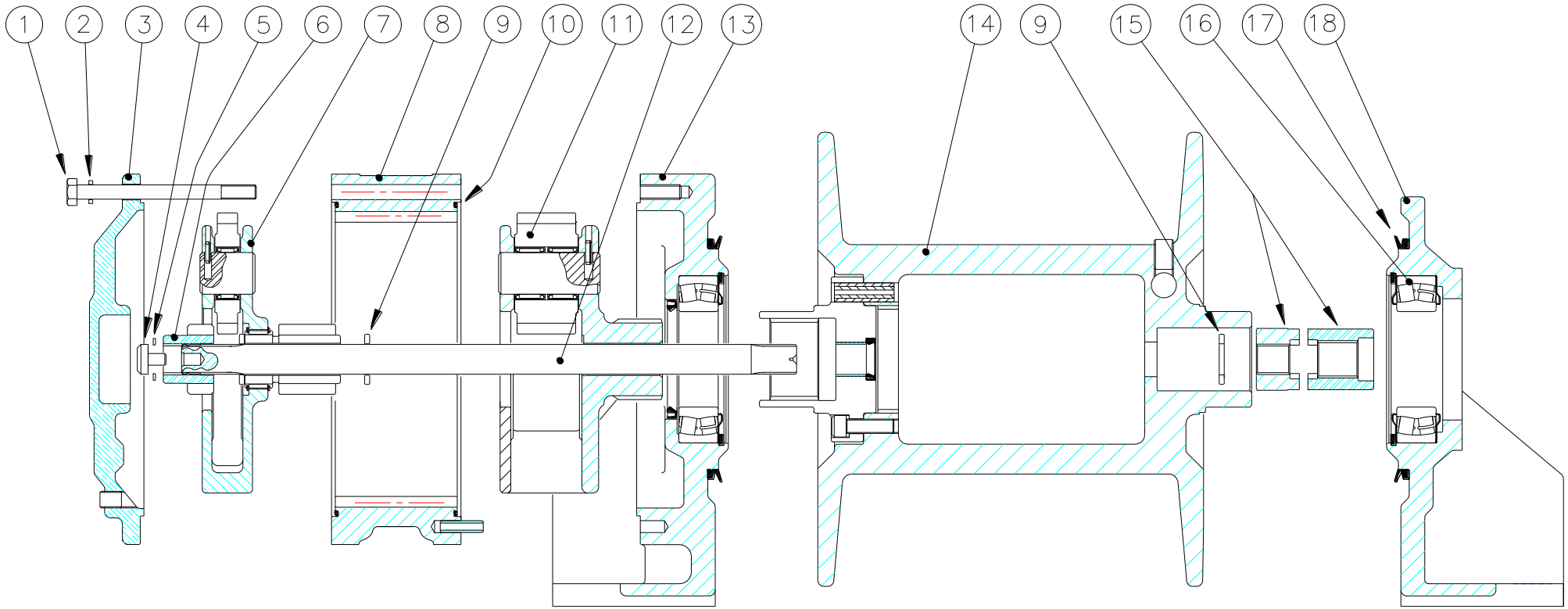
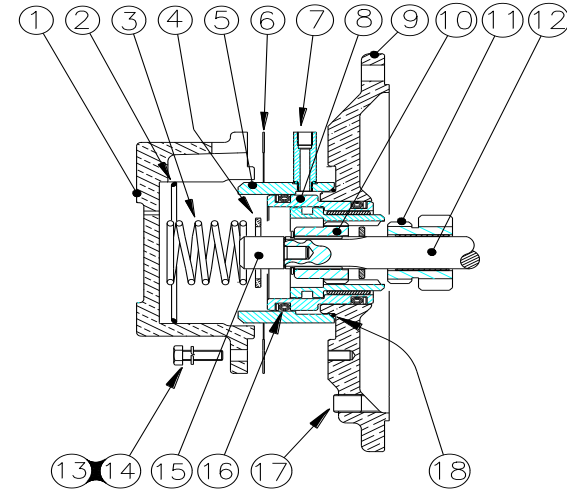
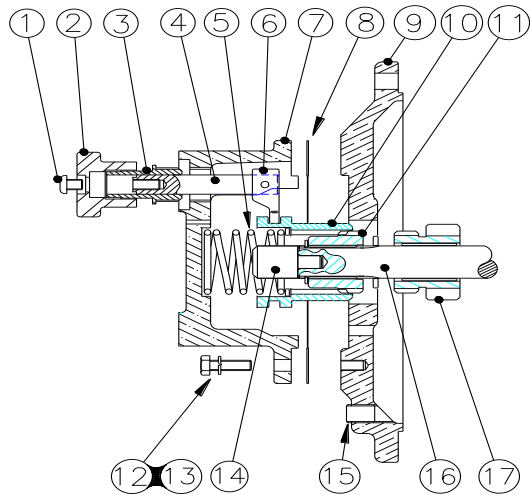


# Superwinch H20P & H30P Exploded View and Parts List



| Item: | Description:                           | Part No:     | Qty: | Item: | Description:                | Part No: | Qty: |
|-------|--|--------------|------|-------|-----------------------------|----------|------|
| 1     | Bolt, M12 X 150                        | 4-33-1215022 | 6    | 12    | Drive Shaft, No Freespool.  | 54-50263 | 1    |
| 2     | Spring Washer, M12                     | 4-51-1223    | 6    | 13    | Gearbox Housing             | 54-90219 | 1    |
| 3     | Gearbox Cover                          | 54-25047     | 1    | 14    | Rope Drum Assembly          | 54-90217 | 1    |
| 4     | Nylon Plug                             | 54-50256     | 1    | 15    | Drive Dog set               | 54-95054 | 1    |
| 5     | CirClip                                | 4-26-2517123 | 1    | 16    | Drum Bearing Service kit    | 54-95055 | 1    |
| 6     | Sun Gear                               | 54-50206     | 1    | 17    | Seal kit                    | 54-95056 | 1    |
| 7     | 1 <sup>st</sup> Stage Carrier Assembly | 54-90082     | 1    | 18    | Motor Support Housing Assy  | 54-90220 | 1    |
| 8     | Ring Gear                              | 54-54057     | 1    | N/S   | Mounting Angles             | 54-52140 | 2    |
| 9     | Thrust Washer                          | 54-50011     | 3    | N/S   | Motor / Brake Assembly, H20 | 54-90196 | 1    |
| 10    | O Ring                                 | 4-21-8053    | 2    | N/S   | Motor / Brake Assembly, H25 | 54-90197 | "    |
| 11    | 2 <sup>nd</sup> Stage Carrier Assembly | 54-90083     | 1    | N/S   | Motor / Brake Assembly, H30 | 54-90198 | "    |

# Superwinch H20P & H30P Freespool View and Parts List



| MANUAL FREESPOOL ASSEMBLY: |                                     |                 |            | PNEUMATIC FREESPOOL ASSEMBLY: |  |                 |            |
|----------------------------|-------------------------------------|-----------------|------------|-------------------------------|--|-----------------|------------|
| Item                       | Description:                        | Part No:        | Qty:       | Item                          | Description:                           | Part No:        | Qty :      |
|                            | <b>Complete Manual F/S Assembly</b> | <b>54-90218</b> | <b>(1)</b> |                               | <b>Complete Pneumatic F/S Assembly</b> | <b>54-90647</b> | <b>(1)</b> |
| 1                          | Button Hd Screw                     | 4-38-081023     | 1          | 1                             | Freespool Housing                      | 54-25045        | 1          |
| 2                          | Head, Release                       | 54-50245        | 1          | 2                             | 'O' Ring                               | 4-21-2053       | 1          |
| 3                          | Body, Release                       | 54-50246        | 1          | 3                             | Spring                                 | 4-31-50764823   | 1          |
| 4                          | Selector Shaft                      | 54-50244        | 1          | 4                             | Washer                                 | 4-02-4050253    | 1          |
| 5                          | Spring                              | 4-31-50763223   | 1          | 5                             | Cylinder Assembly                      | 54-95058        | 1          |
| 6                          | Freespool Fork                      | 70-25012        | 1          | 6                             | Gasket                                 | 54-60066        | 1          |
| 7                          | Freespool Housing                   | 54-25044        | 1          | 7                             | Pneumatic connector                    | 54-50354        | 1          |
| 8                          | Gasket                              | 54-60066        | 1          | 8                             | Piston Assembly                        | 54-95058        | 1          |
| 9                          | Gearbox Cover                       | 54-25161        | 1          | 9                             | Gearbox Cover                          | 54-25161        | 1          |
| 10                         | Clutch Member                       | 54-50243        | 1          | 10                            | Drive Input Gear                       | 54-50020        | 1          |
| 11                         | Drive Input Gear                    | 54-50020        | 1          | 11                            | Sun Gear                               | 54-50019        | 1          |
| 12                         | Set Screw, M8 X 25                  | 4-32-0802522    | 7          | 12                            | Input Drive Shaft                      | 54-50261        | 1          |
| 13                         | Spring Washer, M8                   | 4-51-0823       | 7          | 13                            | Setscrew, M8 X 25                      | 4-32-0802522    | 7          |
| 14                         | Drive Shaft Plug                    | 54-50256        | 1          | 14                            | Spring Washer, M8                      | 4-51-0823       | 7          |
| 15                         | Plug, Filler / Level                | 4-29-224        | 3          | 15                            | Drive Shaft Plug                       | 54-50256        | 1          |
| 16                         | Input Drive Shaft                   | 54-50261        | 1          | 16                            | Freespool Seal set                     | 54-95057        | 1          |
| 17                         | Sun Gear                            | 54-50019        | 1          | 17                            | Plug, Filler / Level                   | 4-29-224        | 3          |
|                            |                                     |                 |            | 18                            | 'O' Ring                               | 4-21-1953       | 1          |