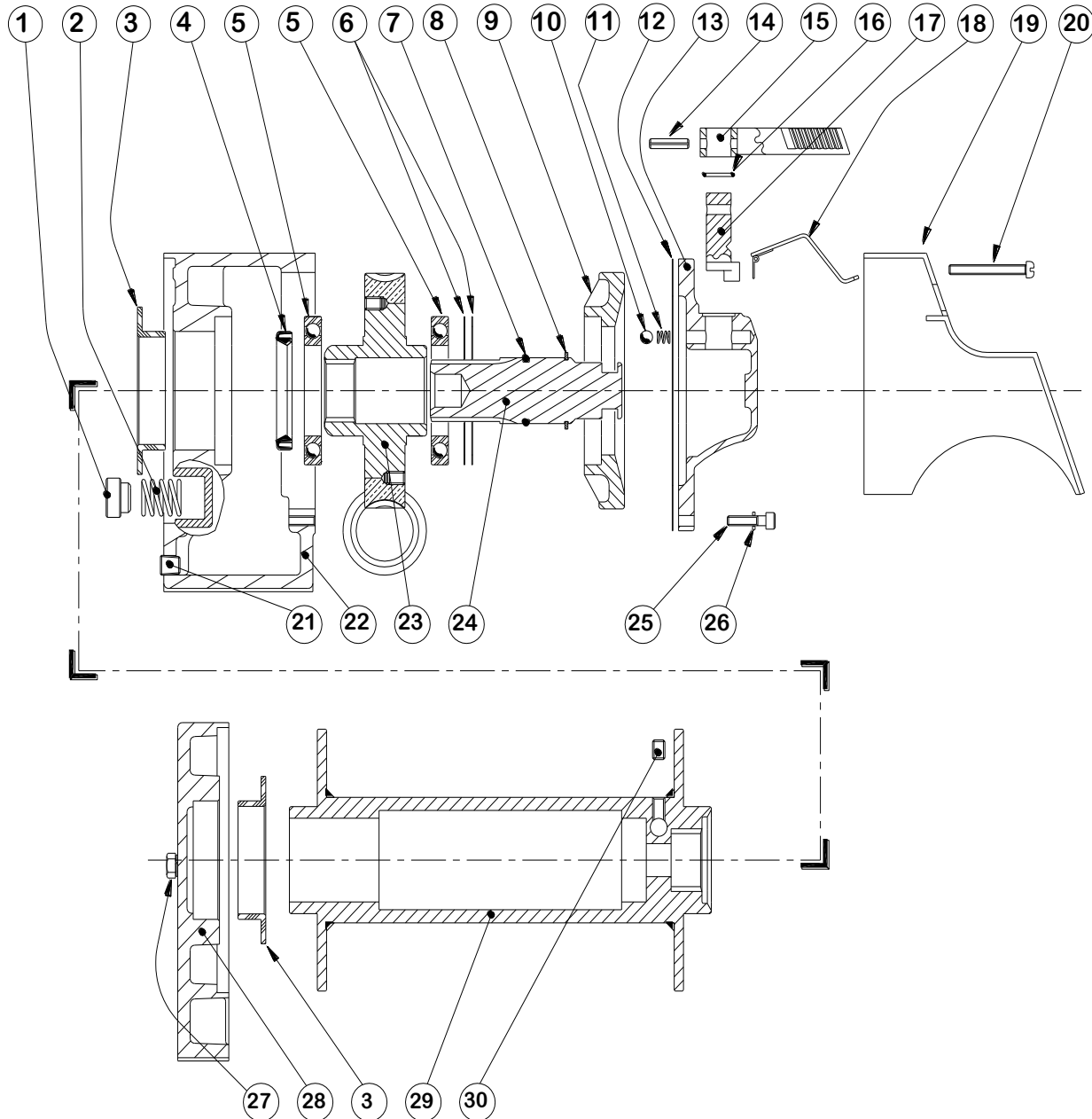
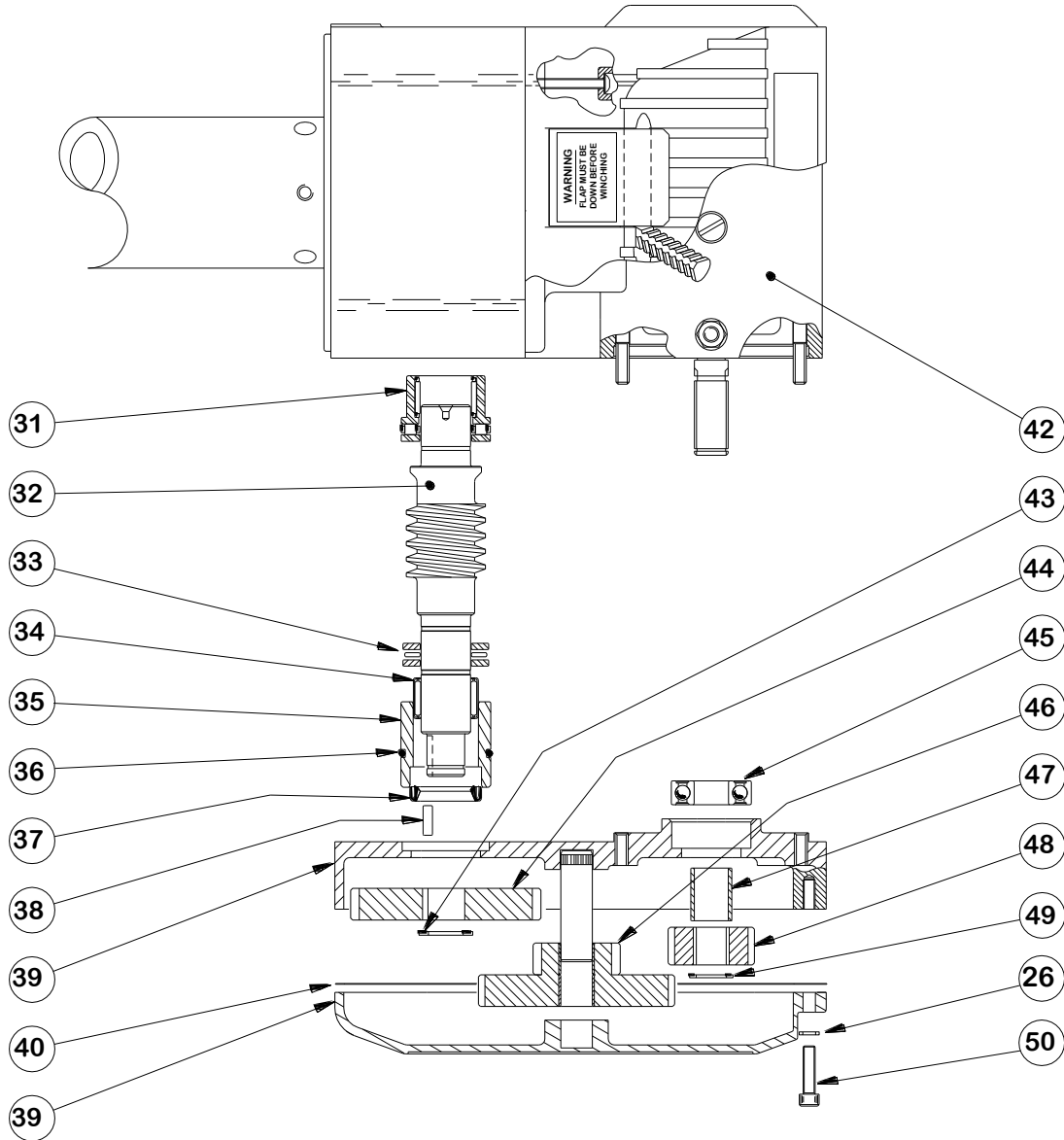


# Superwinch Husky DC Winch Parts



ITEM:	DESCRIPTION:	PART No:	QTY:
1	Brake Shoe	317	2
2	Brake Spring	320	2
3	Flanged Bearing	7658	2
4	Oil Seal	4-22-5572103	1
5	Ball Bearing	4-13-55090113	2
6	Shim, 0.07mm	4-01-8090073	A/r
6	Shim, 0.12mm	4-01-8090123	A/r
7	'O' Ring	4-21-7813	1
8	Circlip	4-24-4053183	1
9	Bearing Carrier	7654	1
10	Steel Ball	4-54-79324	1
11	Spring	4-31-7629510223	1
12	Gasket	7688	1
13	Clutch Housing	7652	1
14	Roll Pin	4-56-602603	1
15	Operating Lever	7673	1
16	'O' Ring	4-21-6423	1
17	Clutch Shaft	7676	1
18	Safety Flap Assembly	10161	1
19	Motor Cover	10166	1
20	Set Screw, M6 X 50mm	4-71-0605023	2
21	Pressure Plug	4-29-224	2
22	Wormbox	7643	1
23	Wormwheel / Worm set	85-95019	1
24	Clutch Member	7659	1
25	Cap Hd Screw, M6 X 25mm	4-36-0602522	8
26	Spring Washer, M6	4-51-0623	16
27	Set Screw, M8 X 16mm	4-32-0801622	8
28	Support Housing.	7645	1
29	Rope Drum Assembly	85-90005	1
30	Skt Set Screw, M8 x 12mm	4-40-081203	1

# Superwinch Husky DC Winch Parts



ITEM:	DESCRIPTION:	PART No:	QTY:
31	Roller / Thrust Bearing	7721	1
32	Worm / Wormset Assembly	85-95019	1
33	Thrust Washer	4-03-2542303	2
33	Thrust Bearing	4-07-2542203	1
34	Needle Bearing	4-12-25322013	1
35	Location Plug	7667	1
36	'O' Ring	4-21-6543	1
37	Oil Seal	4-22-2535073	1
38	Key	7764	1
39	Gear Housing / Cover Assembly	8738	1
40	Gasket	7689	1
42	Electric Motor, 12 volt	7682	1
42	Electric Motor, 24 volt	7694	"
43	Circlip	4-24-1927103	1
44	Wormshaft Gear, 46t	7666	1
45	Ball Bearing	4-13-017040123	1
46	Intermediate Cluster, 32t, 229 ratio	85-90171	1
46	Intermediate Cluster, 27t, 294 ratio	85-90172	"
47	Spacer	7686	1
48	Motor Gear, 32t, 229 ratio	85-54008	1
48	Motor Gear, 27t, 294 ratio	7663	"
49	Circlip	4-24-1622113	1
50	Cap Hd Screw, M6 X 25mm	4-36-0602522	8