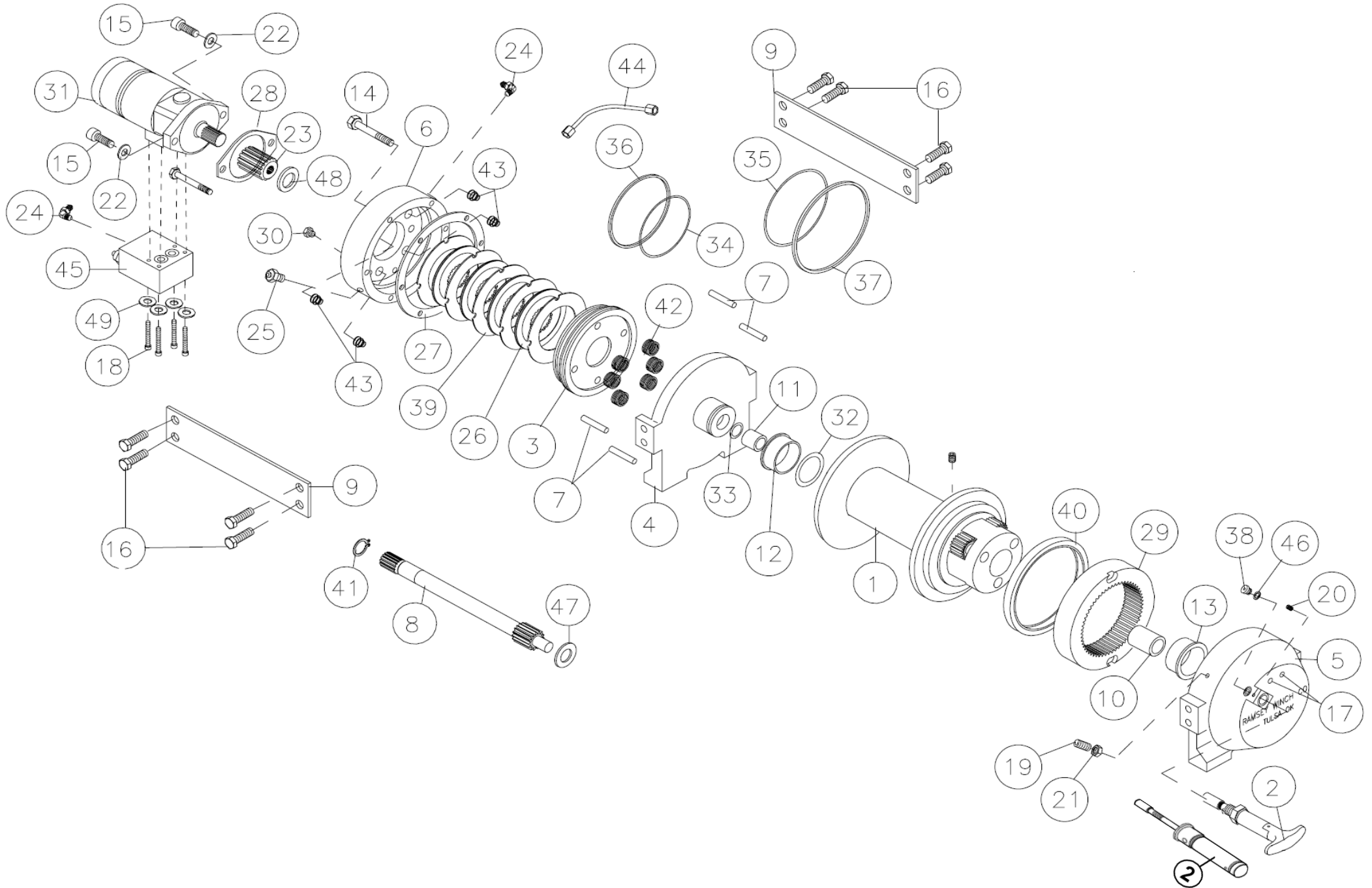


# Ramsey RPH12000



## Ramsey RPH12000 Air and Manual Freespool

<u>ITEM</u>	<u>QTY.</u>	<u>PART NO.</u>	<u>DESCRIPTION</u>	<u>ITEM</u>	<u>QTY.</u>	<u>PART NO.</u>	<u>DESCRIPTION</u>
1	1	234171	DRUM ASS'Y.	26	4	438022	DISC-BRAKE
2	1	276053	AIR SHIFTER ASSY	27	1	442220	GASKET-BRAKE
2	1	276052	SHIFTER ASS'Y.-MANUAL	28	1	442223	GASKET-MOTOR
3	1	306042	PISTON-BRAKE	29	1	444085	GEAR-RING
4	1	338300	END BEARING-MOTOR	30	1	456038	FITTING-VENT
5	1	338301	END BEARING-GEAR HOUSING	31	1	458090	MOTOR-HYDRAULIC
6	1	338302	HOUSING-BRAKE	32	1	462046	O-RING (DRUM)
7	4	346045	PIN-BRAKE	33	1	462056	O-RING
8	1	357504	SHAFT-INPUT/SUN GEAR	34	1	462057	O-RING
9	2	395172	TIE PLATE	35	1	462058	O-RING
10	1	402120	BEARING-GEAR HSG.	36	1	462059	O-RING BACKUP
11	1	402121	BEARING-MTR. END BEARING	37	1	462060	O-RING BACKUP
12	1	412084	BUSHING-DRUM (MTR. END)	38	1	472052	PLUG
13	1	412085	BUSHING-DRUM (G.HSG. END)	39	5	474111	PLATE-SEPARATOR
14	6	414303	CAPSCREW-3/8-16NC X 2-1/2 LG. F	40	1	486080	SEAL-GEAR HSG.
15	2	414948	CAPSCREW 1/2-13NC X 1-1/4 LG. S	41	1	490037	SNAP RING
16	8	414581	CAPSCREW 1/2-13NC X 3/4 LG. HX	42	6	494110	SPRING-BRAKE
17	2	414854	CAPSCREW 1/4-20NC X 1/2 LG. RD	43	4	494112	SPRING
18	4	414159	CAPSCREW 5/16-18NC X 1-1/2 LG.	44	1	509009	TUBE ASSEMBLY
19	1	414926	SETSCREW-3/8-16NC X 1 LG., SOC	45	1	516013	VALVE-MOTOR CONTROL
20	1	416016	SETSCREW-1/4-20NC X 1/4 LG., H>	46	1	518037	THRUST WASHER
21	1	418036	NUT 3/8-16NC HEX. JAM	47	1	518047	THRUST WASHER
22	2	418218	LOCKWASHER-1/2 ID MED. SECT.	48	1	518052	THRUST WASHER
23	1	431015	COUPLING-MOTOR	49	4	418163	LOCKWASHER - 5/16 MED
24	2	432018	FITTING-7/16 ELBOW				