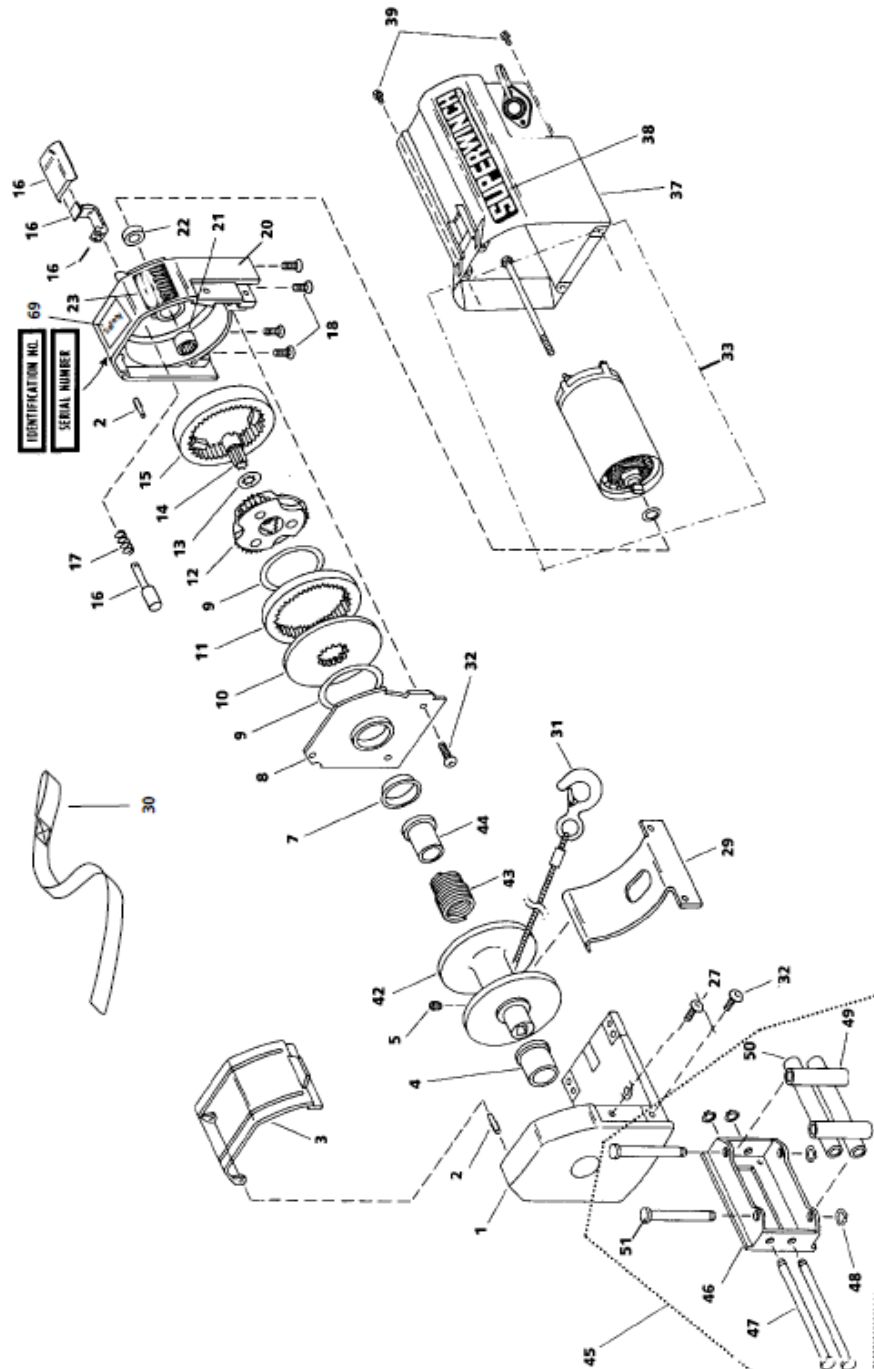


Superwinch S3000 S4000 & S5000

WINCH ASSEMBLY

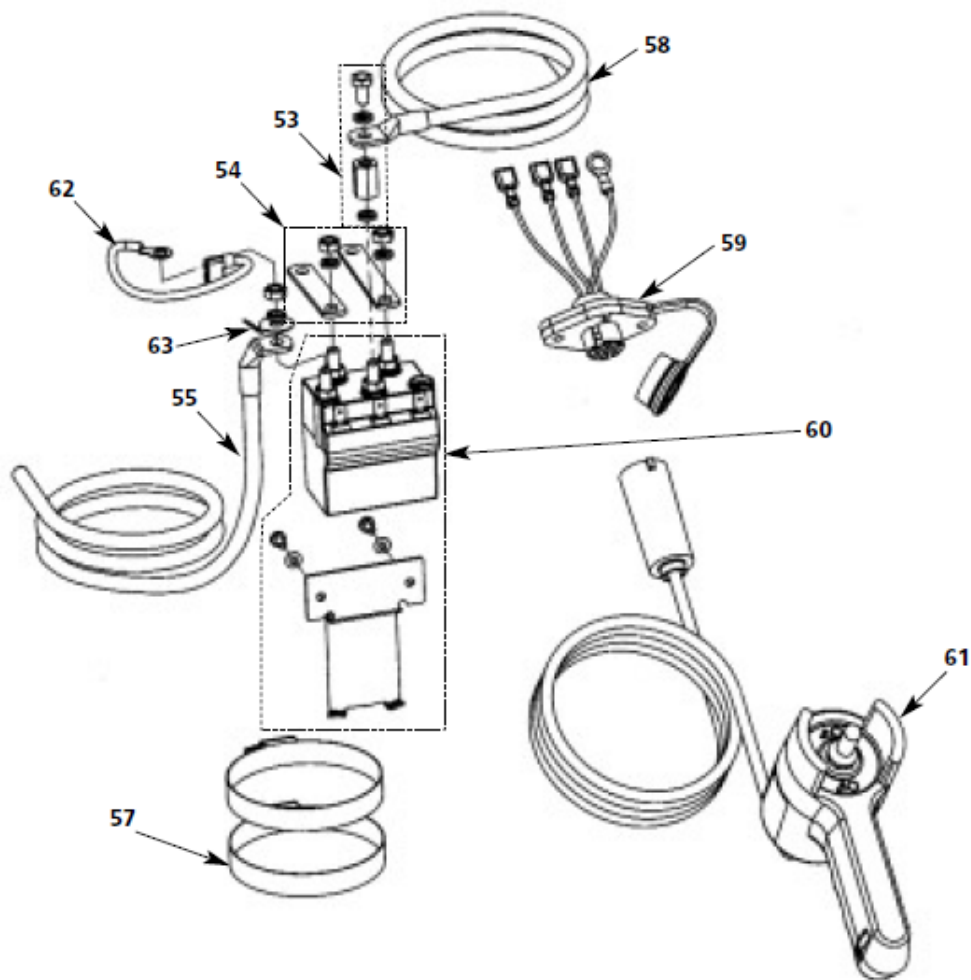


REPLACEMENT PARTS LIST

| Reference Number | Description | Part Number | Qty |
|------------------|---|-------------|-----|
| 1 | Base | 89-52021 | 1 |
| 2 | Groove Pin | 89-23303-01 | 2 |
| 3 | Cable Guard | 89-32268 | 1 |
| 4 | Main Bearing | 89-22268 | 1 |
| 5 | M6 x 1 x 8mm Cup Pt. Set Screw | 90-23164-12 | 1 |
| 7 | Drum Bearing | 89-22269 | 1 |
| 8 | Drum Support | 89-40092 | 1 |
| 9 | Thrust Washer | 90-12574 | 2 |
| 10 | Drive Plate | 89-32263 | 1 |
| 11 | Rotating Ring Gear | 89-32265 | 1 |
| 12 | Planetary Carrier Assembly | 89-22141 | 1 |
| 14 | Sun Gear | 89-33303 | 1 |
| 15 | Stationary Ring Gear | 89-32266 | 1 |
| 16 | Free Wheel Repair Kit (Includes Shaft, Lever, Handle, and Rivet) | 89-10580 | 1 |
| 17 | Free Wheel Spring | 90-23152-08 | 1 |
| 18 | M6 x 1 x 16mm Flat Head Screw | 89-22291-01 | 4 |
| 20 | Housing Assembly (includes 21 & 22) | 89-40104 | 1 |
| 21 | Needle Bearing (.8125 x 1.125 x .750) | 89-23263-03 | 1 |
| 22 | Motor Shaft Bearing | 89-12002 | 1 |
| 23 | S5000 Logo | 89-17332 | 1 |
| | S4000 Logo | 89-17331 | 1 |
| | S3000 Logo | 89-17330 | 1 |
| 27 | M6 x 1 x 13mm Button Head Screw | 89-22290-01 | 2 |
| 29 | Cable Tension Spring | 89-32295 | 1 |
| 30 | Handsaver | 87-31120 | 1 |
| 31 | Wire Rope Assembly w/hook 1/4"x50' (S5000) | 1577A | 1 |
| | Wire Rope Assembly w/hook 7/32"x60' (S4000) | 1514A | 1 |
| | Wire Rope Assembly w/hook 3/16"x60' (S3000) | 1511C | 1 |
| 32 | M6 x 1 x 16mm Button Head Screw | 89-22290-02 | 5 |
| 33 | 12 Volt Complete Motor (S5000) | 90-33294 | 1 |
| | 24 Volt Complete Motor | 89-33298 | 1 |
| | 12 Volt Complete Motor (S4000) | 90-32295 | 1 |
| | 24 Volt Complete Motor | 89-33297 | 1 |
| | 12 Volt Complete Motor (S3000) | 90-33276 | 1 |
| | 24 Volt Complete Motor | 89-33296 | 1 |
| 37 | Motor Cover | 89-52024 | 1 |
| 38 | "Superwinch" Nameplate | 89-22277 | 1 |
| 39 | M4 x 0.7 x 6mm Hex Washer Head Screw | 89-22292-01 | 4 |
| 42 | Drum | 89-40085 | 1 |
| 43 | Brake Spring | 89-22342 | 1 |
| 44 | Brake Adapter | 89-22287 | 1 |
| 45 | Roller Fairlead | 89-40123 | 1 |
| 46 | Roller Fairlead Frame | 89-40113 | 1 |
| 47 | Roller Fairlead Shaft (Long) | 89-22334-02 | 2 |
| 48 | Retainer Ring | 90-23029-08 | 4 |
| 49 | 5/8 x 2.352 Roller | 90-12568-04 | 2 |
| 50 | 5/8 x 4.735 Roller | 90-12568-06 | 2 |
| 51 | Roller Fairlead Shaft (Short) | 89-22334-01 | 2 |

Superwinch S4000 & S5000 solenoid assembly

SOLENOID ASSEMBLY



REPLACEMENT PARTS LIST

| Reference Number | Description | Part Number | Qty |
|------------------|--|-------------|-----|
| 53 | Leadwire spacer kit | 89-24430 | 1 |
| 54 | Buss bar kit | 89-24431 | 1 |
| 55 | Black 2 gage wire (-), S5000 12V | 89-22635-61 | 1 |
| | Black 6 gage wire (-), S4000, S5000 24V | 89-23292-38 | 1 |
| 57 | Band clamp | 89-14459 | 2 |
| 58 | Red 2 gage wire (+), S5000 12V | 89-22635-60 | 1 |
| | Red 6 gage wire (+), S4000, S5000 24V | 89-23292-37 | 1 |
| 59 | Socket | 90-14140 | 1 |
| 60 | Type 6 solenoid with bracket, 12V | 89-24429 | 1 |
| | Type 6 solenoid with bracket, 24V | 89-24467 | 1 |
| 61 | Handheld remote control | 90-33450-02 | 1 |
| 62 | Ground jumper wire 18 gage | 89-23283 | 1 |
| 63 | Terminal adapter | 89-14458 | 1 |

TORQUE SPECIFICATIONS

TORQUE SPECIFICATIONS

| | |
|--------------------------------|-------------|
| Drum Support Plate Screws | 50-60 lb in |
| Hawse (Roller Fairlead) Screws | 45-55 lb in |
| Base Screws | 65-75 lb in |
| Motor | 35-40 lb in |

⚠ WARNING *Over torquing could damage your winch and void your warranty.*

