

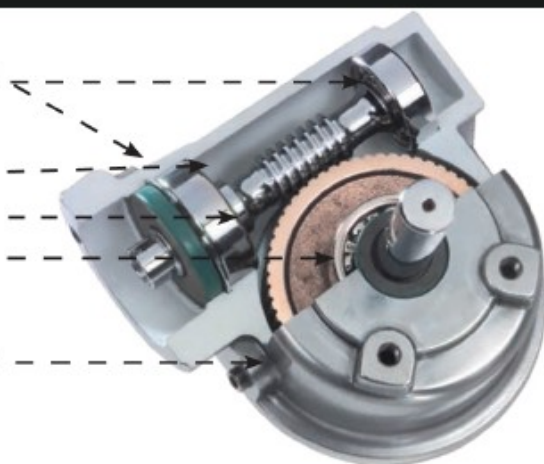
POWER DRIVES



Instant Automation

Lightweight and self-contained, Superwinch® Power Drives are the ultra-dependable, high-quality solution for many applications requiring a prime mover for task automation. Designed with longevity in mind, Superwinch uses only oversized bearings, substantial wormshaft and a high-end tin-bronze alloy worm wheel for the utmost in durability.

- Oversized ball bearings
- Substantial worm shaft for longer life
- Long life bronze alloy worm wheel
- Keyway shaft for positive engagement
- Aluminium die cast housing and cover, weather sealed



359 Lake Road, Dayville, CT USA
800-323-2031, 860-928-7787
info@superwinch.com

SUPERWINCH®