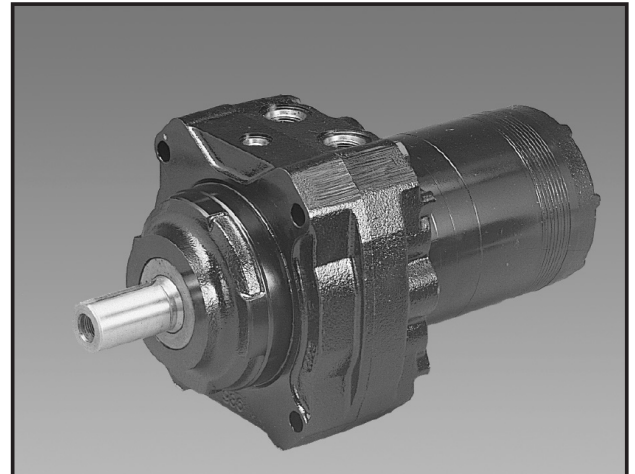


13 Displacements	(8.6 to 58.5 in ³ /rev)	
13 Schluckvolumen	140 . . . 959 cm ³ /rev	
13 Cylindrée		
13 Despazamientos		
	Cont.	Int.
Maximum Pressure	(3000 psid)	(4000 psid)
Eingangsdruck	. . . 207 bar	. . . 276 bar
Pression entrée		
Presion Maxima		
Maximum Oil Flow	(30 gpm)	
Schluckstrom	. . . 114 lpm	
Débit d'huile		
Caudal Maximo de Aceite		
Maximum Speed	(660 rpm)	
Drehzahl	660 rpm	
Vitesse de rotation		
Velocidad Maxima		
	Cont.	Int.
Maximum Torque	(9,239 lb in)	(12,636 lb in)
MaxDrehmoment	1044 Nm	1428 Nm
Couple		
Torque Maximo		
Maximum Side Load at Key	(3597 lb)	
Seitenlast	. . . 16000 N	
Charges latérales		
Carga Maxima Lateral		

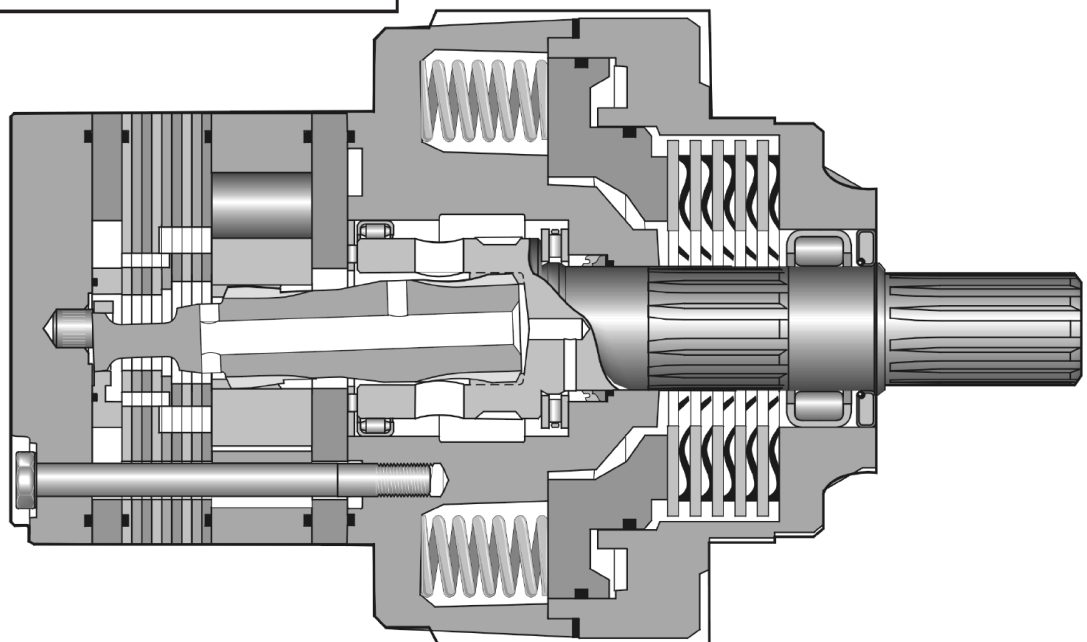
Exceptional Strength and Durability in a High Performance Motor/Brake Package

This brake motor consists of a BG Series motor integrated into a wet disc, spring applied, hydraulically released brake. Standard holding capacity is 12,000 lb in of holding torque. The brake is front mounted for reliable operation even in the event of a system failure. The brake release port is capable of pressures to 3000 PSI.



Rated Brake Holding Capacity @ Zero Release Pressure Nm (in-lbs)	Minimum Full Release Pressure bar (PSI)
1350 (12,000)	22 (315)
12,000 in-lbs is standard holding capacity. For other holding capacities, see page 287.	

CAUTION!
 See installation/operating instructions for product cautions and proper use.




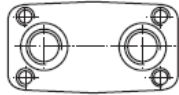
BG

Series

XXXXDisplacement
Schluckvolumen
Cylindrée
Desplazamiento**X**Mounting
Gehäuse
Carter
Montaje**X**Ports
Anschluß
Plan de raccordement
Lumbreras

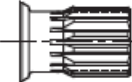
Code	cm³/tr cm³/giro cm³/U in³/rev
0240	238 / 14.5


Code	Mounting
B	SAE "B" 2 Bolt 

Code	Ports
M*	5/16-18 UNC Manifold 

XXShaft
Welle
Arbre
Eje**0**Rotation
Drehrichtung
Direction de rotation
Rotacion

Code CB	disp	0240
Weight/Gewicht	kg	30.4
Poids/Peso	(lb)	(67.1)
Length "L"	mm	228.1
	(in)	(8.98)

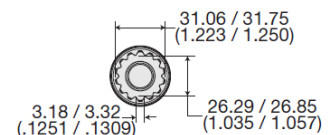
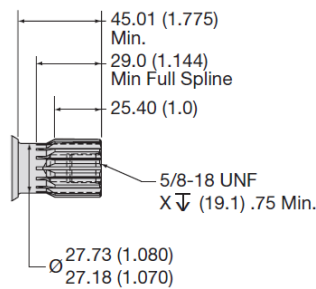
Code	Shaft
62	SAE 14 Tooth Spline 

Code	Front Port Rotation
0	Standard 

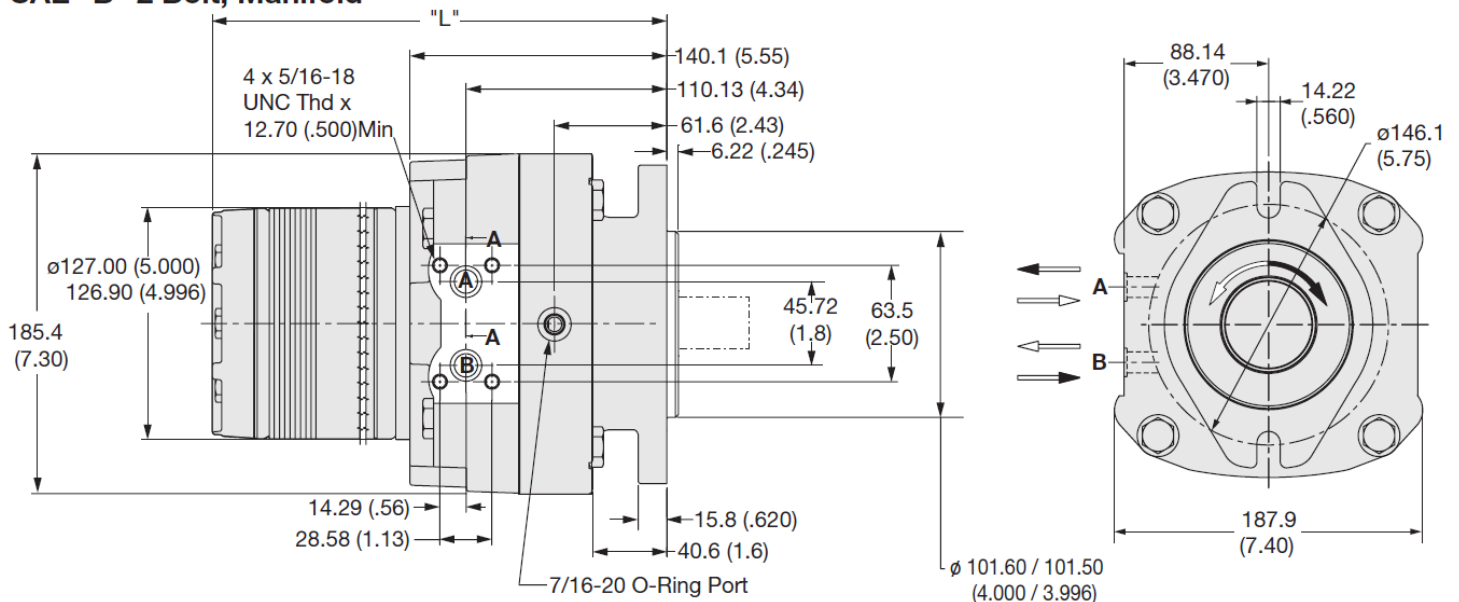
Code	Options
AAAA	Standard, Black Paint

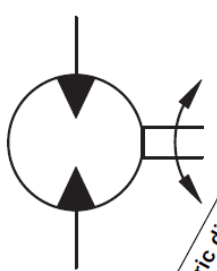
Code: 62

SAE 14 Tooth Spline



SAE "B" 2 Bolt, Manifold

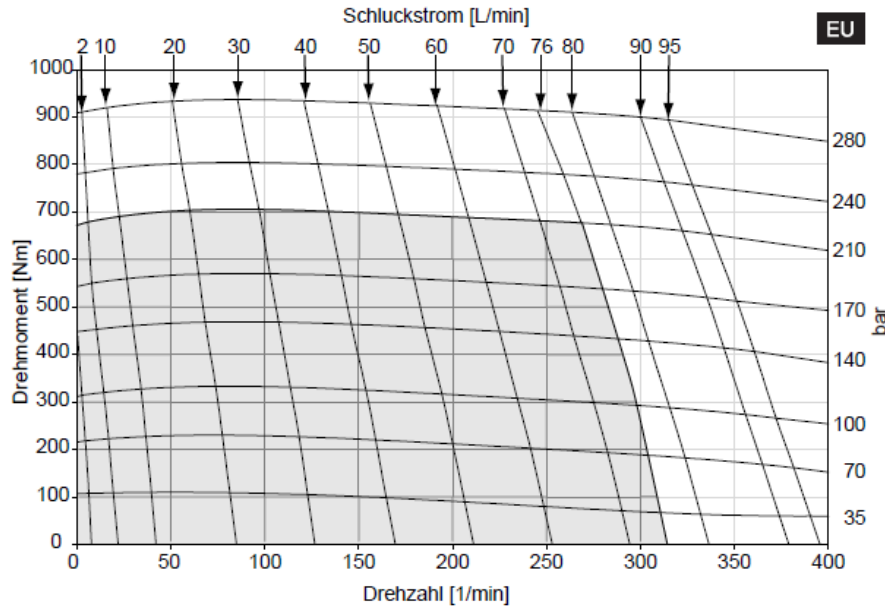




Motor Series BG	cm ³ /rev in ³ /rev	rev/min	cont / int* l/min g/min		cont / int* bar psi		max bar psi		cont / int* Nm lb-in		max KW HP		cont / int* Nm lb-in	
BG 0240	237 14.5	393	76 20	95 25	210 3000	281 4000	300 4350	677 5991	913 8081	32 43.52	582 5152	776 6865		

Performance Data / Leistungsdaten
Puissance / Datos Tecnicos

BG 0240



Rated Brake Holding Capacity @ Zero Release Pressure Nm (in-lbs)	Maximum Full Release Pressure bar (PSI)
1350 (12,000)	22 (315)
12,000 in-lbs is standard holding capacity. For other holding capacities, consult the factory for price and availability.	