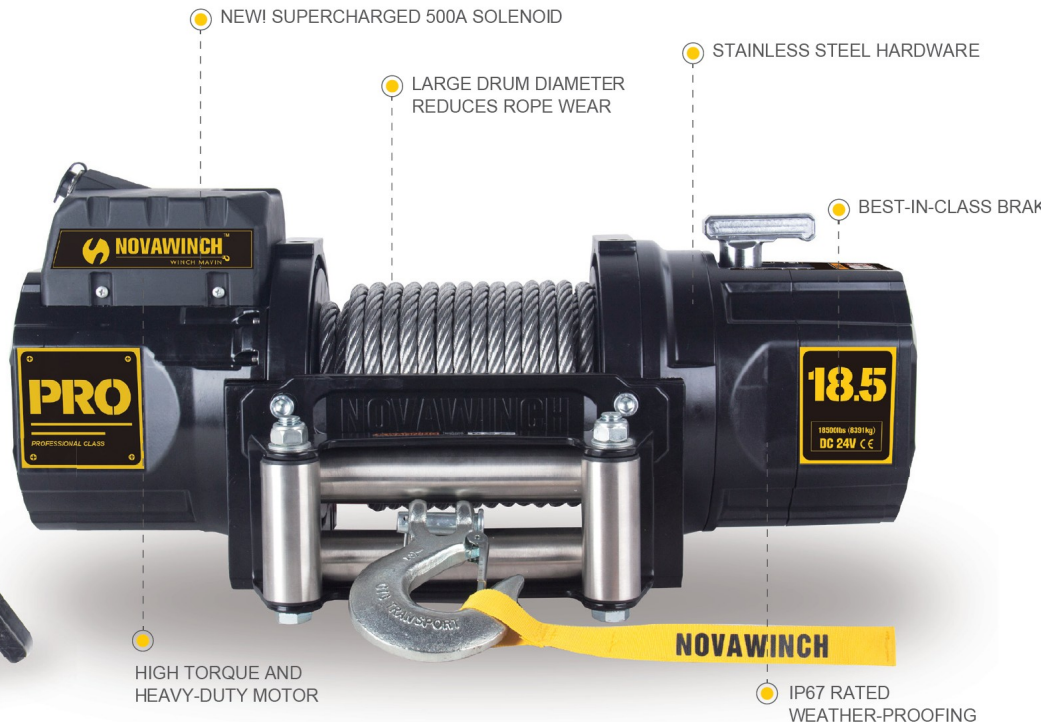


# Pro Series 18500 lb (8391 kg)



DOUBLE LOCK BRAKE SYSTEM



## SPECIFICATIONS:

### Rated line pull:

18500lbs(8391kgs)single line

### Motor(Series wound):

DC 24V: 5.9hp/4.5kW

### Gear train:

4 stage planetary gear

### Gear ratio:

505:1

### Clutch:

Pull and turn

### Braking action:

Automatic in the ratchet wheel

### Fairlead:

4-way roller fairlead

### Wire rope:

1/2"×82'(13mm×25m)

### Drum size:

3.46"×8.66"(88mm×220mm)

### Dimensions:

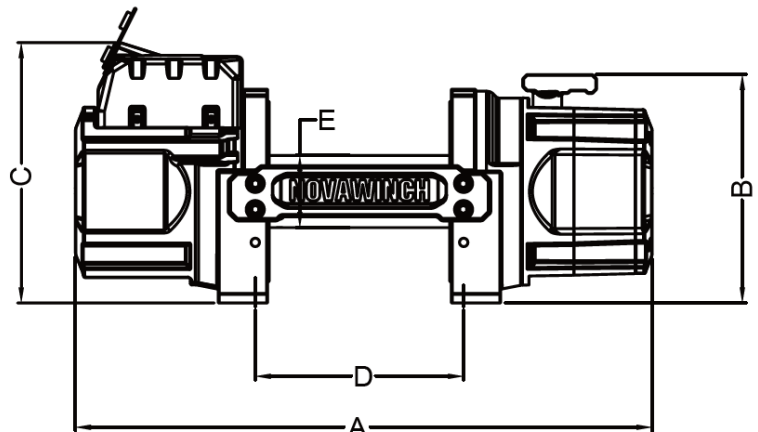
27.76"×10.5"×12.5"(705mm×266mm×318mm)

### Bolt pattern:

10"×4.5"(254mm×114.3mm)

10"×6.5"(254mm×165.1mm)

**Net Weight:**181bs(82kgs)



A= 705mm B= 279mm C= 318mm  
D= 254mm E= 88mm Ø

## 24V DC Line speed and motor current (first layer)

Line pull		Line speed		Motor current
lbs	Kg's	Feet Min'	Mtrs Min'	Amps
0	0	19.6	6	50
6000	2724	7.5	2.3	89
8000	3632	6.2	1.9	110
12000	5448	5.2	1.6	136
18500	8391	3.9	1.2	190



8 TIMES WORKING DURATION

Common winches last just 30 seconds on fully loaded, the new PRO Series lasts **FOUR MINUTES** without decreasing durability and reliability

Email: [info@bandcwinches.com.au](mailto:info@bandcwinches.com.au)

[www.bandcwinches.com.au](http://www.bandcwinches.com.au)