

RAMSEY WINCH

RPH 12,000



- Rated Line pull 12,000 lbs
- Recommended cable 7/16"
- Available with air shift
- Meets SAE J706
- Made in the USA

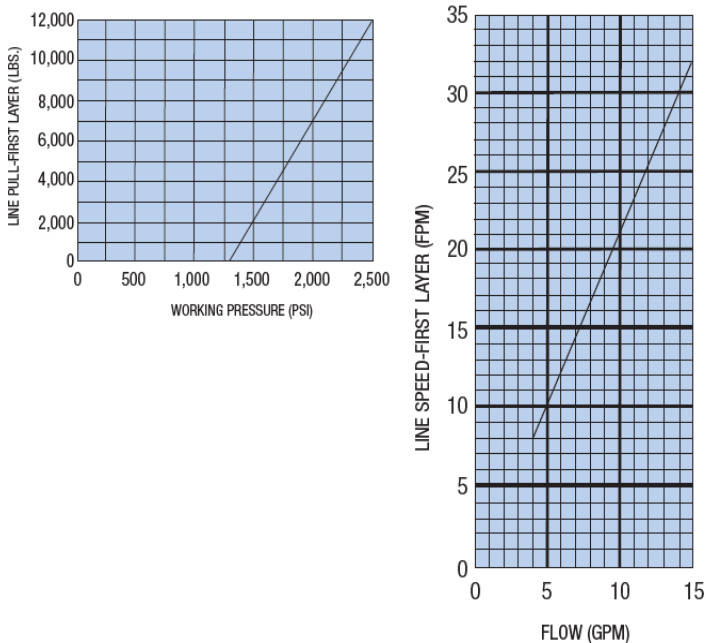


Applications

- Towing & Recovery
- Petroleum
- Forestry
- Mining
- Construction
- Refuse

Hydraulic Systems Performance

24.0 Cubic Inch Motor



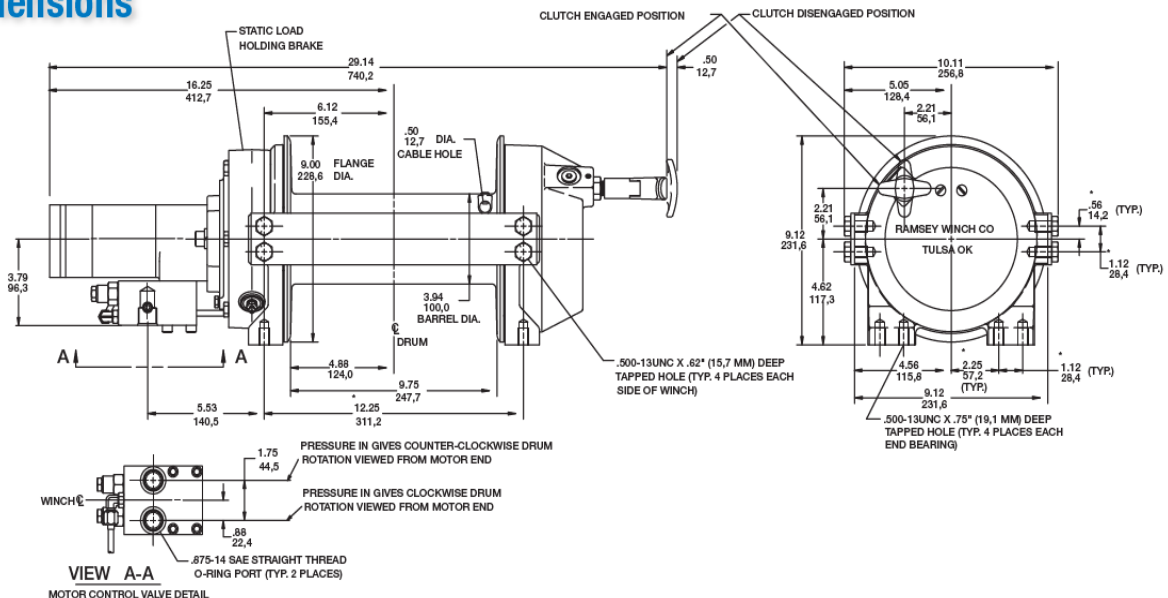
Specifications

Rated Line Pull	12,000 lbs..... (5,440 kgs)
Gear Reduction 5.1:1
Weight (without cable) 110 lbs. (50 kgs)

LAYER OF CABLE		1	2	3	4	5
*RATED LINE PULL PER LAYER	Lbs. Kgs.	12,000 5,440	10,000 4,530	8,500 3,850	7,500 3,400	6,600 2,990
CABLE CAPACITY	Ft. M.	20 6.0	50 15.0	80 24.0	115 35.0	160 48.0
LINE SPEED (at 15 GPM)	FPM (MPM)	32 (9.7)	38 (11.5)	44 (13.4)	51 (15.5)	57 (17.3)

* These specifications are based on recommended cable of 7/16" EIPS cable.

Winch Dimensions



DIMENSIONS SHOWN ARE INCHES OVER MILLIMETERS

WINCH MOUNTING CAPSCREWS MUST MEET OR EXCEED SAE GRADE 5 SPECIFICATION

*NOTE: THESE HOLE LOCATIONS MUST BE HELD WITHIN ±.03" (0.8 MM) OF TRUE POSITION. RECOMMENDED MOUNTING HOLE DIAMETER IS .53" (13.5 MM).